



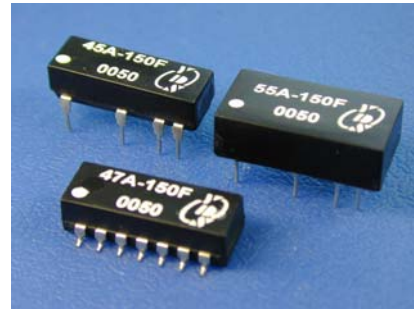
14 PIN LEADING & TRAILING FAST TTL ACTIVE DELAY LINE

FEATURES

- 14-PIN PACKAGE.
- 5EQUALLY-SPACED TAPS.
- FAST TTL SCHOTTKY INTERFACED.
- TOTAL DELAYS FROM 25-1000nS.
- TPLH AND TPHL CONTROLLED.

ELECTRICAL CHARACTERISTICS

I _{IH} Logic"1" Input Current	:20uA max
I _{IL} Logic"0" Input Current	:-1.6mA max
V _{OH} Logic"1" Output Voltage	:2.5V min
V _{OL} Logic"0" Output Voltage	:0.5V max
V _{IH} Logic"1" Input Voltage	:2.0V min
V _{IL} Logic"0" Input Voltage	:0.8V max
T _A Operating Temperature	:0°C to 70°C
N _H Fanout"1" Output	:20 TTL Load
N _L Fanout"0" Output	:10 TTL Load
Supply Current	:50mA Typ.



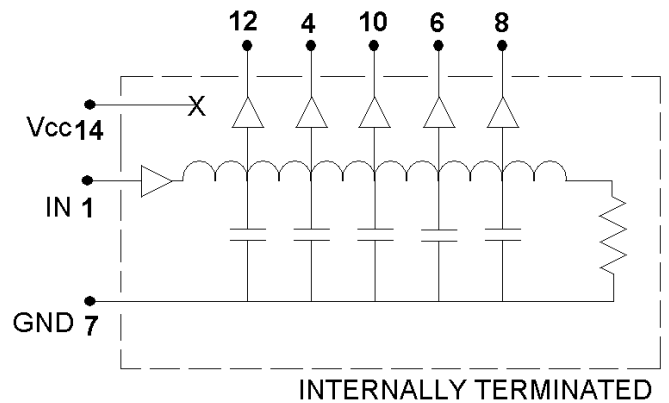
INPUT PULSE TEST CONDITION

Pulse Voltage	:3.2V
Pulse Width	:50nS min. or 100%T _d
Duty Cycle	:<50%
Pulse Rise Time	:2nS(0.75 to 2.4V)
Time Delay Measured	:@1.5V level
Supply Voltage V _{cc}	:5.0±0.25Vdc

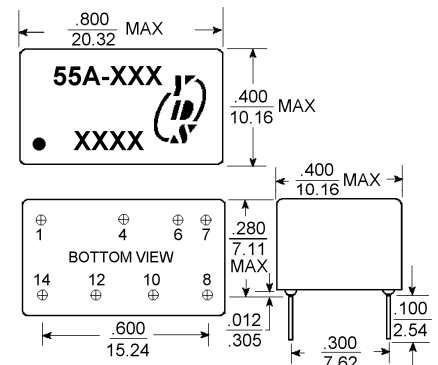
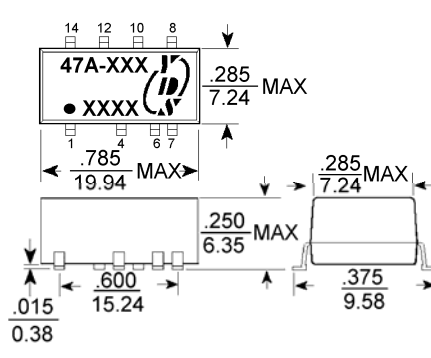
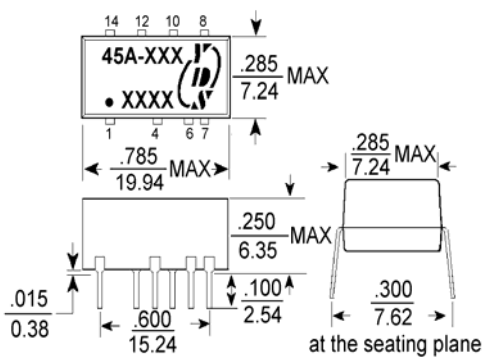
ELECTRICAL SPECIFICATIONS

PART NO.	DELAY TIME T _d (nS)	TAP DELAY (nS)	RISE TIME Tr(nS)max
45A/47A/55A-025F	25±2	5±2	4
45A/47A/55A-050F	50±5%	10±2	4
45A/47A/55A-075F	75±5%	15±2	4
45A/47A/55A-100F	100±5%	20±2	4
45A/47A/55A-150F	150±5%	30±2	4
45A/47A/55A-200F	200±5%	40±2	4
45A/47A/55A-250F	250±5%	50±5%	4
45A/47A/55A-300F	300±5%	60±5%	4
45A/47A/55A-500F	500±5%	100±5%	4
45A/47A/55A-1000F	1000±5%	200±5%	4

PIN CONNECTIONS



MARKINGS AND DIMENSIONS



Dimensions:inches/mm

Unless otherwise specified, all tolerances are ±.010/±0.25